

TECHNICAL ASSISTANCE

Assistance in troubleshooting is available from the factory. When calling, you should have a VOM available and call from the job site. Call (540) 563-2000 and press 1 for Technical Support or visit our website at <http://www.clarity-com.com>.

CLARITY equipment is not field repairable. Should repairs be necessary, attach a tag to the unit clearly stating company name, address, phone number, contact person and the nature of the problem. Send the unit to:

Clarity
Repair and Return Dept.
5614 Hollins Road
Roanoke, VA 24019-5056

CLARITY LIMITED WARRANTY

Clarity warrants its products only to the original purchaser, for its own use, to be free from defects in materials and workmanship under conditions of normal use and service for a period of one year from the date of shipment. This Limited Warranty obligation shall be limited to the replacement, repair or refund of any such defective device within the warranty period, provided that:

1. inspection by Clarity indicates the validity of the claim;
2. the defect is not the result of damage, misuse or negligence after the original shipment;
3. the product has not been altered in any way or repaired by others and that factory sealed units are unopened (a service charge plus parts and labor will be applied to units defaced or physically damaged);
4. freight charges for the return of products to Clarity are prepaid;
5. all units 'out of warranty' are subject to a service charge. The service charge will cover minor repairs (major repairs will be subject to additional charges for parts and labor).

This Limited Warranty is in lieu of and excludes all other warranties, expressed or implied and in no event shall Clarity be liable for any anticipated profits, consequential damages, loss of time or other losses incurred by the buyer in connection with the purchase, operation, maintenance, installation, removal or use of the product. The maximum liability of Clarity under this warranty is limited to the purchase price of the specific Product covered by the warranty.

Disclaimer. Except for the Limited Warranty provided herein, the product is provided "as-is" without any warranty of any kind whatsoever including, without limitation, any **WARRANTY OF MERCHANTABILITY, FITNESS FOR A PARTICULAR PURPOSE OR NON-INFRINGEMENT.**

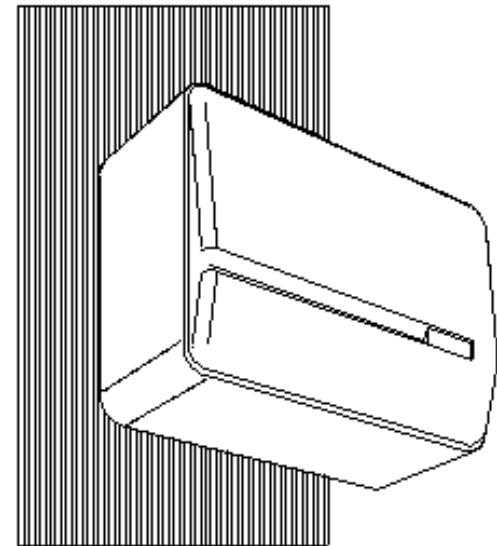
This warranty specifically excludes damage incurred in shipment. In the event a product is received in damaged condition, the carrier should be notified immediately. Claims for such damage should be filed with the carrier involved in accordance with the F.O.B. point.

Headquarters:
Clarity
5614 Hollins Road Roanoke, VA 24019-5056
Phone: (540) 563-2000 FAX: (540) 362-9800

INSTALLATION INSTRUCTIONS FOR

Clarity
by Valcom

DESIGNER WALL SPEAKERS



MODEL NO. S-527A

CLARITY DESIGNER WALL SPEAKERS

Clarity's Designer Wall Speaker, Model S-527A, is designed for areas that require a stylish appearance. This speaker incorporates a speaker/transformer/ baffle assembly for use with any Clarity Mixer-Amplifier to provide background music or voice paging. The speaker is available in black or white with a color coordinated cloth grille.

Model S-527A-BK - Black

Model S-527A-W - White

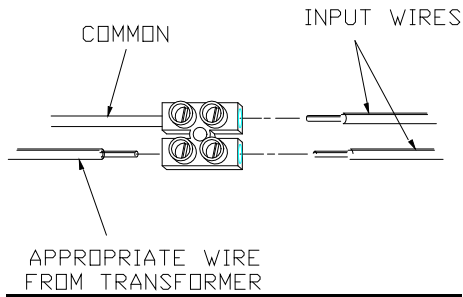
TECHNICAL SPECIFICATIONS

Frequency Response	100 to 10kHz
Max. Power Capability	5 watts
SPL 1 watt/1 meter 1kHz	93 dB
Speaker	5" w/10 oz. magnet, 8 Ohm

WIRING

Make connections as shown in Figure 1.

FIGURE 1



25 Volt Line		70 Volt Line	
Color	<u>Designation</u>	Color	<u>Designation</u>
Black	Common	Black	Common
Brown	5 Watt	Green	5 Watt
Red	2.5 Watt	White	2.5 Watt
Orange	1.25 Watt	Blue	1.25 Watt
Green	0.625 Watt	Grey	0.625 Watt
White	0.312 Watt	Violet	0.312 Watt

MOUNTING

The baffle provides two methods of mounting:

1. The baffle can be suspended from a nail or hook by a "hanger" that is attached to the housing. See Figure 2.
2. The unit can be attached to a wall using two mounting bosses. Distance between the mounting boss centers is 8.5 inches. Remove grille and secure baffle to wall with screws. This mounting provides better low frequency response for music and a more secure attachment to the wall. See Figure 3.

FIGURE 2

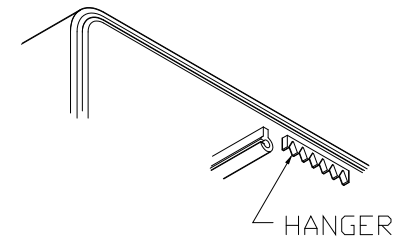


FIGURE 3

