

TECHNICAL ASSISTANCE

Assistance in troubleshooting is available from the factory. When calling, you should have a VOM available and call from the job site.

Call (540) 563-2000 and press 1 for Technical Support or visit our website at www.clarity-com.com.

Clarity equipment is not field repairable. Clarity maintains service facilities in Roanoke, VA. Should repairs be necessary, attach a tag to the unit clearly stating company name, address, phone number, contact person and the nature of the problem. Send unit to:

**Clarity
Repair and Return Dept.
5614 Hollins Road
Roanoke, VA 24019-5056**

LIMITED WARRANTY

Clarity warrants its products to be free from defects in materials and workmanship under conditions of normal use and service for a period of one year from the date of shipment. The obligation under this warranty shall be limited to the replacement, repair or refund of any such defective device within the warranty period, provided that:

1. Inspection by Clarity indicates the validity of the claim;
2. The defect is not the result of damage, misuse, or negligence after the original shipment;
3. The product has not been in any way repaired by others and that factory sealed units are unopened (A service charge plus parts and labor will be applied to units defaced or physically damaged);
4. Freight charges for the return of products to Clarity are prepaid;
5. All units 'out of warranty' are subject to a service charge. The service charge will cover minor repairs (major repairs will be subject to additional charges for parts and labor).

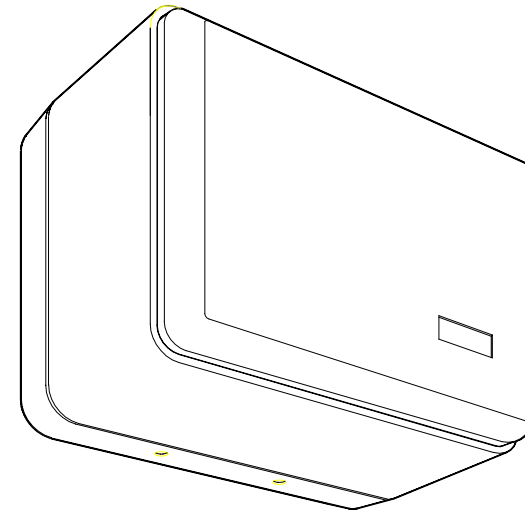
This warranty is in lieu of and excludes all other warranties expressed or implied, and in no event shall Clarity be liable for any anticipated profits, consequential damages, loss of time or other losses incurred by the buyer in connection with the purchase, operation or use of the product.

This warranty specifically excludes damage incurred in shipment. In the event a product is received in damaged condition, the carrier should be notified immediately. Claims for such damage should be filed with the carrier involved in accordance with the F.O.B. point.

INSTALLATION INSTRUCTIONS FOR

Clarity®

DESIGNER HIGH FIDELITY SPEAKER



MODEL NO. S-700

CLARITY DESIGNER HIGH FIDELITY SPEAKER

Clarity's Designer High Fidelity Speaker, S-700, is designed for areas that require a stylish appearance. This speaker incorporates a speaker/transformer/baffle assembly for use with any Clarity Mixer-Amplifier to provide quality background music and speech indoors or out. The speaker can operate on 70 or 100 Volt speaker lines or connect direct to an 8 Ohm output, thus bypassing the transformer. Audio level adjustments can be made by the externally accessible rotary tap switch. Two input connectors are provided to allow easy "chaining" of the speakers. The speaker is available in white or black with a color coordinated cloth grille.

Model S-700BK - Black

Model S-700WH - White

TECHNICAL SPECIFICATIONS

Frequency Response	70 Hz to 20KHz +/- 3dB
Max. Power Capability	30 Watts
SPL 1 Watt/1 meter 1KHz	93 dB @ 1 KHz
Woofers	5" w/10 oz. magnet
Tweeter	1" Mylar Dome
Impedance (Direct)	8 Ohm
Transformer	70 or 100 Volt

WIRING

Insert one stripped wire of input to (+) and the other to (-). Secure stripped wires by turning the screws on the terminal block. Each terminal will accept 18 to 24 gauge speaker wire. Adjust volume by selecting appropriate tap setting (See Fig. 2 for location).

Tap Setting	100V Watts	70V Watts	Ohms
1	1.0	.5	10667
2	1.9	1.0	5333
3	3.8	1.9	2667
4	7.5	3.8	1333
5	15	7.5	667
6	30	15	333
7	Do Not Use	30	167
8	Open	Open	---
9	DIRECT 8 OHM	DIRECT 8 OHM	8

WARNING: Switch setting NINE (9) is used on 8 Ohm speaker lines. Do not use Switch setting NINE (9) on 70 or 100 Volt speaker lines.

MOUNTING

- The baffle can be hung from a nail or hook by the "keyhole" that is attached to the back of the housing. (Figure 1)
- The unit can be mounted to an optional mounting bracket, (S-BKT). This bracket can then be secured to a surface. The bracket is attached to the speaker brass inserts with screws provided. (Figure 2)

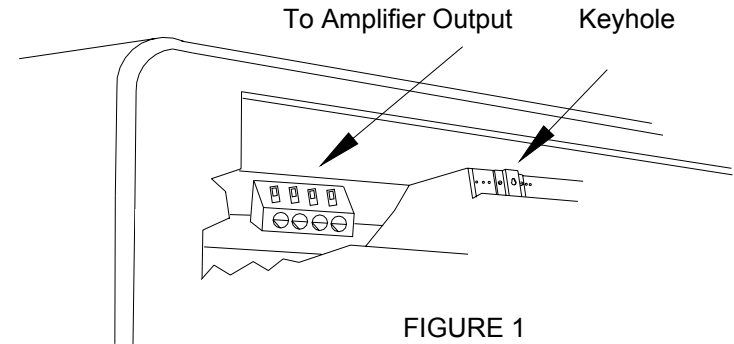


FIGURE 1

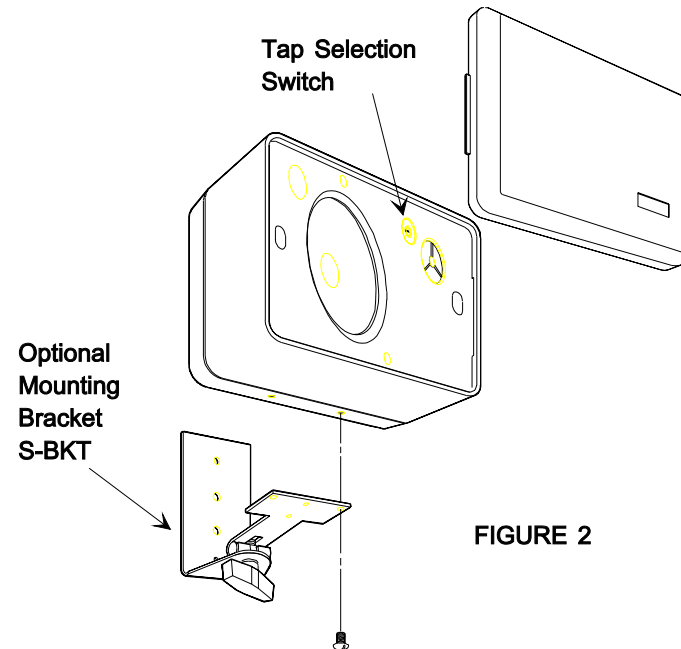


FIGURE 2