

TECHNICAL ASSISTANCE

When trouble is reported, verify there are no broken connections leading to the speaker. Assistance in troubleshooting is available from the factory. When calling, you should have a VOM and a lineman's test set available and be calling from the job site. Call (540) 563-2000 and ask for Technical Support, or (540) 767-1555 for Clarity 24-hour Faxback System or visit our website at <http://www.clarity-com.com>.

CLARITY equipment is not field repairable. CLARITY maintains service facilities in Roanoke, VA. Should repairs be necessary, attach a tag to the unit clearly stating your company name, address, phone number, contact person and the nature of the problem. Send the unit to:

Clarity
Repair and Return Dept.
5614 Hollins Road
Roanoke, VA 24019-5056

LIMITED WARRANTY

Clarity warrants its products to be free from defects in materials and workmanship under conditions of normal use and service for a period of one year from the date of shipment. The obligation under this warranty shall be limited to the replacement, repair or refund of any such defective device within the warranty period, provided that:

1. Inspection by Clarity indicates the validity of the claim,
2. the defect is not the result of damage, misuse, or negligence after the original shipment,
3. the product has not been altered in any way or repaired by others and that factory sealed units are unopened (A service charge plus parts and labor will be applied to units defaced or physically damaged),
4. freight charges for the return of products to Clarity are prepaid,
5. all units "out of warranty" are subject to a service charge. The service charge will cover minor repairs (Major repairs will be subject to additional charges for parts and labor).

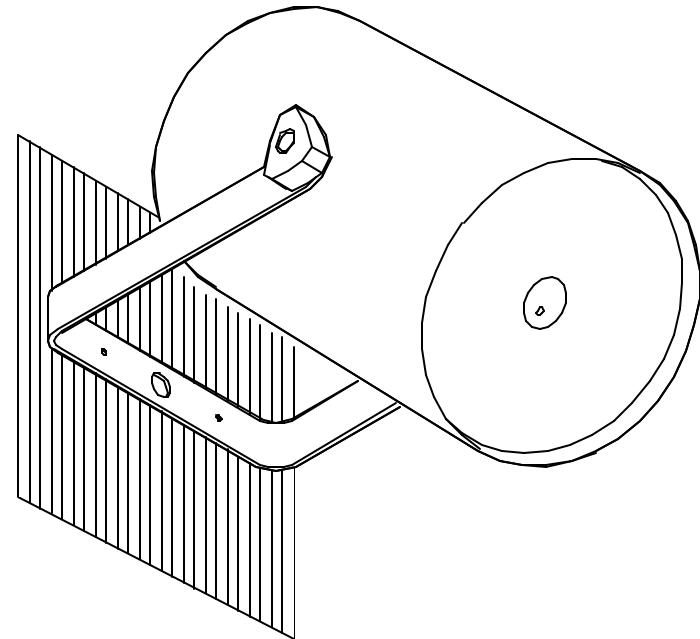
This warranty is in lieu of and excludes all other warranties, expressed or implied, and in no event shall Clarity be liable for any anticipated profits, consequential damages, loss of time or other losses incurred by the buyer in connection with the purchase, operation, or use of the product.

This warranty specifically excludes damage incurred in shipment. In the event a product is received in damaged condition, the carrier should be notified immediately. Claims for such damage should be filed with the carrier involved in accordance with the F.O.B. point.

INSTALLATION INSTRUCTIONS FOR

Clarity®

TRACK STYLE SPEAKERS



MODEL NO. S-530B

CLARITY TRACK STYLE SPEAKERS

Clarity Track Style Speaker, S-530B, incorporates a speaker / transformer / baffle assembly for use with any Clarity Mixer-Amplifier to provide background music or voice paging indoors or out. The speaker can operate on 25, 70 or 100 Volt lines or connect direct to an 8-ohm output, thus bypassing the transformer. Cable extending from the unit provides easy connection. The speaker is weather-resistant and is available in white, black or gray.

Model S-530B-W	White
Model S-530B-BK	Black
Model S-530B-GY	Gray

TECHNICAL SPECIFICATIONS

Frequency Response:	100 - 10KHz
Maximum Power Capability:	30 watts
SPL 1 watt / 1meter 1KHz:	93dB
Speaker:	5" w/10 oz. magnet, 8-ohm

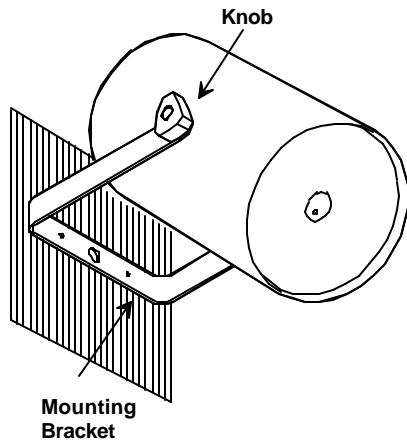


FIGURE 1

INSTALLATION

1. Mount the bracket.
2. Remove knobs and mount speaker to bracket.
3. Attach knobs and position at the desired angle. Tighten knobs (See Figure 1).

Typical coverage of these speakers is 600 square feet with good quality paging heard up to thirty feet in front of the speaker. Speakers should be spaced approximately twenty feet apart.

WIRING

Connect one wire of input to black wire (-) and the other to the white wire (+). Adjust volume by selecting the appropriate tap setting from the chart below.

WARNING: *SWITCH SETTING TWELVE (12) IS USED ON 8-OHM SPEAKER LINES. DO NOT USE TAP SETTING TWELVE ON 25, 70 OR 100 VOLT LINES.*

Tap Setting	100V Watts	70V Watts	25V Watts	Ohms
1	1.9	1.0	.12	5333
2	3.8	1.9	.25	2667
3	7.5	3.8	.5	1333
4	15	7.5	1.0	667
5	30	15	1.9	333
6	Do not use	30	3.8	167
7	Do not use	Do not use	7.5	84
8	Do not use	Do not use	15	42
9	Do not use	Do not use	30	21
10	Open	Open	Open	---
11	Open	Open	Open	---
12	Direct 8 ohm	Direct 8 ohm	Direct 8 ohm	8